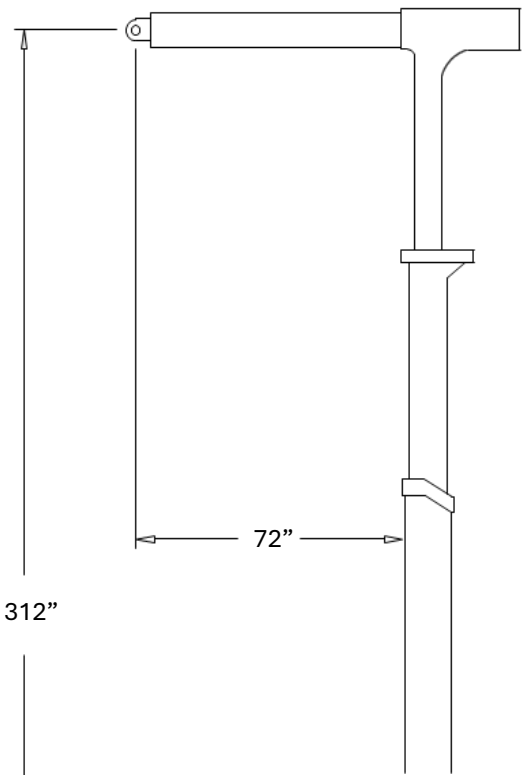
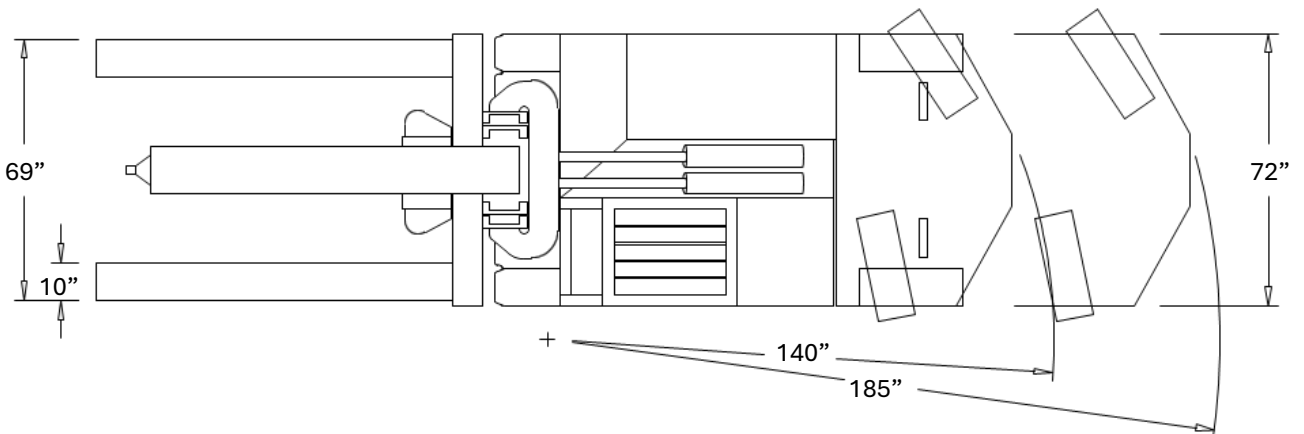
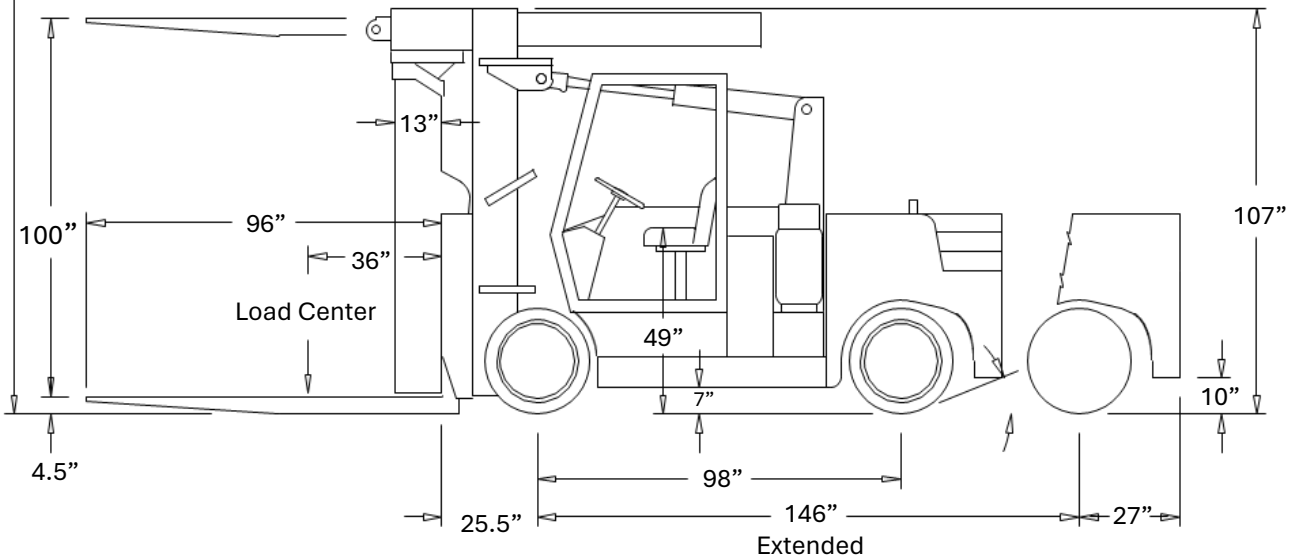


VERSA-LIFT 40/60



- Capacity:** 40,000 lbs. Frame Retracted
60,000 lbs. Frame Extended
- Engine:** 2.5L Kubota Industrial Engine
- Transmission:** Two Speed Hydrostatic
- Grade:** 47% Empty
20% Loaded
- Tilt:** 12° Forward
7° Back
- Weight:** Gross – 57,000 lbs.
Counterweights – 16,000 lbs.
Boom – 6,000 lbs.
Forks – 3,000 lbs.



40/60 Versa-Lift with 0 Counterweight Slabs

Slab Weight (lbs)

3750

Number of Slabs

0

Standard Wheel Base

98

		Lift Capacities w/Forks Only (lbs)				
		Counter Weight Extension (in)				
		0	12	24	36	48
Load Center From Fork Face (in)	36	22100	24400	26800	29100	31400
	48	18500	20500	22400	24300	26300
	60	15900	17600	19200	20900	22600
	72	14000	15400	16900	18300	19800
	84	12400	13700	15000	16300	17600

		Lift Capacities w/Boom Only (lbs)				
		Counter Weight Extension (in)				
		0	12	24	36	48
Load Center From Boom Face (in)	24	20500	22700	25000	27300	29600
	36	17200	19100	21000	22900	24800
	48	14800	16400	18100	19700	21400
	60	13000	14400	15900	17300	18800
	72	11600	12900	14100	15400	16700
	84	10400	11600	12800	13900	15100
	96	9500	10600	11600	12700	13700
	108	8700	9700	10700	11600	12600
120	8100	9000	9900	10800	11700	

		Lift Capacities w/Boom & Forks (lbs)				
		Counter Weight Extension (in)				
		0	12	24	36	48
Load Center From Boom Face (in)	24	19100	21400	23700	25900	28200
	36	16000	18000	19900	21800	23700
	48	13800	15500	17100	18700	20400
	60	12100	13600	15000	16500	17900
	72	10800	12100	13400	14700	16000
	84	9800	10900	12100	13200	14400

***All Load Capacities are Rated with the Mast Vertical

40/60 Versa-Lift with 1 Counterweight Slabs

Slab Weight (lbs)

3750

Number of Slabs

1

Standard Wheel Base

98

		Lift Capacities w/Forks Only (lbs)				
		Counter Weight Extension (in)				
		0	12	24	36	48
Load Center From Fork Face (in)	36	27000	29900	32800	35700	38600
	48	22600	25000	27400	29900	32300
	60	19400	21500	23600	25700	27800
	72	17000	18900	20700	22500	24300
	84	15200	16800	18400	20100	21700

		Lift Capacities w/Boom Only (lbs)				
		Counter Weight Extension (in)				
		0	12	24	36	48
Load Center From Boom Face (in)	24	25300	28100	31000	33800	36700
	36	21200	23600	26000	28400	30800
	48	18300	20300	22400	24400	26500
	60	16000	17800	19600	21500	23300
	72	14300	15900	17500	19100	20700
	84	12900	14300	15800	17300	18700
	96	11700	13100	14400	15700	17000
	108	10800	12000	13200	14400	15600
	120	10000	11100	12200	13300	14500

		Lift Capacities w/Boom & Forks (lbs)				
		Counter Weight Extension (in)				
		0	12	24	36	48
Load Center From Boom Face (in)	24	23900	26800	29600	32500	35300
	36	20100	22500	24900	27200	29600
	48	17300	19300	21400	23500	25500
	60	15200	17000	18800	20600	22400
	72	13500	15100	16800	18400	20000
84	12200	13700	15100	16600	18000	

****All Load Capacities are Rated with the Mast Vertical*

40/60 Versa-Lift with 2 Counterweight Slabs

Slab Weight (lbs)

3750

Number of Slabs

2

Standard Wheel Base

98

		Lift Capacities w/Forks Only (lbs)				
		Counter Weight Extension (in)				
		0	12	24	36	48
Load Center From Fork Face (in)	36	31900	35400	38900	42300	45800
	48	26700	29600	32500	35400	38300
	60	22900	25400	27900	30500	33000
	72	20100	22300	24500	26700	28900
	84	17900	19900	21800	23800	25700

		Lift Capacities w/Boom Only (lbs)				
		Counter Weight Extension (in)				
		0	12	24	36	48
Load Center From Boom Face (in)	24	30100	33500	36900	40300	43800
	36	25200	28100	31000	33800	36700
	48	21700	24200	26700	29100	31600
	60	19100	21200	23400	25600	27800
	72	17000	18900	20900	22800	24800
	84	15300	17100	18800	20600	22300
	96	14000	15600	17200	18700	20300
	108	12800	14300	15700	17200	18700
	120	11900	13200	14600	15900	17300

		Lift Capacities w/Boom & Forks (lbs)				
		Counter Weight Extension (in)				
		0	12	24	36	48
Load Center From Boom Face (in)	24	28700	32200	35600	39000	42400
	36	24100	27000	29800	32700	35600
	48	20800	23200	25700	28200	30700
	60	18200	20400	22600	24700	26900
	72	16200	18200	20100	22100	24000
	84	14700	16400	18200	19900	21600

****All Load Capacities are Rated with the Mast Vertical*

40/60 Versa-Lift with 3 Counterweight Slabs

Slab Weight (lbs)

3750

Number of Slabs

3

Standard Wheel Base

98

		Lift Capacities w/Forks Only (lbs)				
		Counter Weight Extension (in)				
		0	12	24	36	48
Load Center From Fork Face (in)	36	36800	40800	44900	49000	53000
	48	30800	34200	37600	41000	44400
	60	26400	29400	32300	35200	38100
	72	23200	25800	28300	30900	33500
	84	20700	22900	25200	27500	29800

		Lift Capacities w/Boom Only (lbs)				
		Counter Weight Extension (in)				
		0	12	24	36	48
Load Center From Boom Face (in)	24	34900	38900	42900	46900	50900
	36	29200	32600	36000	39300	42700
	48	25200	28100	31000	33900	36800
	60	22100	24700	27200	29700	32300
	72	19700	22000	24200	26500	28800
	84	17800	19800	21900	23900	26000
	96	16200	18100	19900	21800	23600
	108	14900	16600	18300	20000	21700
	120	13700	15300	16900	18500	20100

		Lift Capacities w/Boom & Forks (lbs)				
		Counter Weight Extension (in)				
		0	12	24	36	48
Load Center From Boom Face (in)	24	33500	37500	41500	45500	49500
	36	28100	31500	34800	38200	41600
	48	24200	27100	30000	32900	35800
	60	21300	23800	26400	28900	31400
	72	19000	21200	23500	25800	28000
84	17100	19100	21200	23200	25300	

****All Load Capacities are Rated with the Mast Vertical*

40/60 Versa-Lift with 4 Counterweight Slabs

Slab Weight (lbs)

3750

Number of Slabs

4

Standard Wheel Base

98

		Lift Capacities w/Forks Only (lbs)				
		Counter Weight Extension (in)				
		0	12	24	36	48
Load Center From Fork Face (in)	36	41600	46300	51000	55600	60300
	48	34800	38700	42600	46500	50400
	60	30000	33300	36600	40000	43300
	72	26300	29200	32100	35100	38000
	84	23400	26000	28600	31200	33800

		Lift Capacities w/Boom Only (lbs)				
		Counter Weight Extension (in)				
		0	12	24	36	48
Load Center From Boom Face (in)	24	39700	44200	48800	53400	58000
	36	33300	37100	41000	44800	48600
	48	28700	32000	35300	38600	41900
	60	25200	28100	31000	33900	36800
	72	22400	25000	27600	30200	32800
	84	20200	22600	24900	27200	29600
	96	18400	20600	22700	24800	26900
	108	16900	18900	20800	22800	24700
	120	15600	17400	19200	*21000	*21000

* Structural Limitations

		Lift Capacities w/Boom & Forks (lbs)				
		Counter Weight Extension (in)				
		0	12	24	36	48
Load Center From Boom Face (in)	24	38300	42900	47500	52100	56600
	36	32200	36000	39800	43700	47500
	48	27700	31000	34300	37600	40900
	60	24300	27200	30100	33000	35900
	72	21700	24300	26900	29400	32000
	84	19600	21900	24200	26600	28900

***All Load Capacities are Rated with the Mast Vertical

**40/60 Versa-Lift with 0 Counterweight Slabs
and Side Shifting Carriage**

Slab Weight (lbs)
3750

Number of Slabs
0

Standard Wheel Base
98

		Lift Capacities w/Forks Only (lbs)				
		Counter Weight Extension (in)				
		0	12	24	36	48
Load Center From Fork Face (in)	36	20000	22200	24300	26500	28700
	48	17000	18800	20600	22400	24200
	60	14700	16300	17900	19400	21000
	72	13000	14400	15800	17100	18500
	84	11600	12800	14100	15300	16600

		Lift Capacities w/Boom Only (lbs)				
		Counter Weight Extension (in)				
		0	12	24	36	48
Load Center From Boom Face (in)	24	18500	20600	22700	24900	27000
	36	15700	17500	19300	21100	22900
	48	13600	15200	16700	18300	19900
	60	12000	13400	14800	16200	17600
	72	10800	12000	13300	14500	15700
	84	9800	10900	12000	13100	14200
	96	8900	9900	11000	12000	13000
	108	8200	9200	10100	11000	12000
	120	7600	16000*	16000*	16000*	16000*

		Lift Capacities w/Boom & Forks (lbs)				
		Counter Weight Extension (in)				
		0	12	24	36	48
Load Center From Boom Face (in)	24	17300	19400	21500	23600	25700
	36	14600	16400	18200	20000	21800
	48	12700	14300	15800	17400	19000
	60	11200	12600	14000	15400	16700
	72	10100	11300	12500	13800	15000

*All Load Capacities are Rated with the Mast Vertical
Capacities Marked '*' are Bound by Structural Limitations*

40/60 Versa-Lift with 1 Counterweight Slabs and Side Shifting Carriage

Slab Weight (lbs)

3750

Number of Slabs

1

Standard Wheel Base

98

		Lift Capacities w/Forks Only (lbs)				
		Counter Weight Extension (in)				
		0	12	24	36	48
Load Center From Fork Face (in)	36	24600	27300	30000	32700	35400
	48	20800	23100	25400	27700	29900
	60	18000	20000	22000	24000	25900
	72	15900	17700	19400	21100	22900
	84	14200	15800	17400	18900	20500

		Lift Capacities w/Boom Only (lbs)				
		Counter Weight Extension (in)				
		0	12	24	36	48
Load Center From Boom Face (in)	24	23000	25600	28300	31000	33600
	36	19500	21700	24000	26300	28500
	48	16900	18900	20800	22800	24800
	60	15000	16700	18400	20100	21900
	72	13400	14900	16500	18000	19600
	84	12100	13500	14900	16300	17700
	96	11100	12400	13600	14900	16200
	108	10200	11400	12600	13700	14900
	120	9400	16000*	16000*	16000*	16000*

		Lift Capacities w/Boom & Forks (lbs)				
		Counter Weight Extension (in)				
		0	12	24	36	48
Load Center From Boom Face (in)	24	21700	24400	27100	29700	32400
	36	18400	20700	22900	25200	27500
	48	16000	18000	19900	21900	23800
	60	14100	15900	17600	19300	21100
	72	12700	14200	15800	17300	18900

All Load Capacities are Rated with the Mast Vertical

Capacities Marked '' are Bound by Structural Limitations*

**40/60 Versa-Lift with 2 Counterweight Slabs
and Side Shifting Carriage**

Slab Weight (lbs)
3750

Number of Slabs
2

Standard Wheel Base
98

		Lift Capacities w/Forks Only (lbs)				
		Counter Weight Extension (in)				
		0	12	24	36	48
Load Center From Fork Face (in)	36	29100	32400	35600	38900	42100
	48	24600	27400	30100	32900	35600
	60	21400	23700	26100	28500	30900
	72	18800	20900	23000	25100	27200
	84	16900	18700	20600	22500	24400

		Lift Capacities w/Boom Only (lbs)				
		Counter Weight Extension (in)				
		0	12	24	36	48
Load Center From Boom Face (in)	24	27500	30700	33900	37000	40200
	36	23300	26000	28700	31400	34100
	48	20200	22600	24900	27300	29600
	60	17900	19900	22000	24100	26200
	72	16000	17900	19700	21600	23400
	84	14500	16200	17900	19500	21200
	96	13200	14800	16300	17900	19400
	108	12200	13600	15000	16400	17900
	120	11300	16000*	16000*	16000*	16000*

		Lift Capacities w/Boom & Forks (lbs)				
		Counter Weight Extension (in)				
		0	12	24	36	48
Load Center From Boom Face (in)	24	26200	29400	32600	35800	39000
	36	22200	24900	27700	30400	33100
	48	19300	21700	24000	26400	28700
	60	17100	19100	21200	23300	25400
	72	15300	17100	19000	20900	22700

*All Load Capacities are Rated with the Mast Vertical
Capacities Marked '*' are Bound by Structural Limitations*

40/60 Versa-Lift with 3 Counterweight Slabs and Side Shifting Carriage

Slab Weight (lbs)
3750

Number of Slabs
3

Standard Wheel Base
98

		Lift Capacities w/Forks Only (lbs)				
		Counter Weight Extension (in)				
		0	12	24	36	48
Load Center From Fork Face (in)	36	33700	37500	41300	45000	48800
	48	28500	31700	34900	38100	41300
	60	24700	27500	30300	33000	35800
	72	21800	24200	26700	29100	31600
	84	19500	21700	23900	26100	28300

		Lift Capacities w/Boom Only (lbs)				
		Counter Weight Extension (in)				
		0	12	24	36	48
Load Center From Boom Face (in)	24	31900	35700	39400	43100	46900
	36	27100	30300	33400	36600	39800
	48	23500	26300	29000	31800	34500
	60	20800	23200	25600	28100	30500
	72	18600	20800	23000	25100	27300
	84	16800	18800	20800	22800	24700
	96	15400	17200	19000	20800	22600
	108	14200	15800	17500	19100	20800
	120	13100	16000*	16000*	16000*	16000*

		Lift Capacities w/Boom & Forks (lbs)				
		Counter Weight Extension (in)				
		0	12	24	36	48
Load Center From Boom Face (in)	24	30700	34400	38200	41900	45600
	36	26000	29200	32400	35500	38700
	48	22600	25300	28100	30800	33600
	60	20000	22400	24800	27300	29700
	72	17900	20100	22200	24400	26600

*All Load Capacities are Rated with the Mast Vertical
Capacities Marked '*' are Bound by Structural Limitations*

40/60 Versa-Lift with 4 Counterweight Slabs and Side Shifting Carriage

Slab Weight (lbs)
3750

Number of Slabs
4

Standard Wheel Base
98

		Lift Capacities w/Forks Only (lbs)				
		Counter Weight Extension (in)				
		0	12	24	36	48
Load Center From Fork Face (in)	36	38200	42600	46900	51200	55600
	48	32300	36000	39700	43300	47000
	60	28000	31200	34400	37600	40700
	72	24700	27500	30300	33100	36000
	84	22100	24600	27100	29700	32200

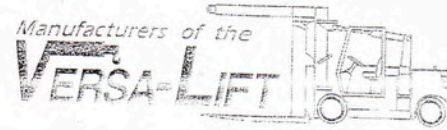
		Lift Capacities w/Boom Only (lbs)				
		Counter Weight Extension (in)				
		0	12	24	36	48
Load Center From Boom Face (in)	24	36400	40700	45000	49200	53500
	36	30900	34500	38100	41800	45400
	48	26800	30000	33100	36200	39400
	60	23700	26500	29200	32000	34800
	72	21200	23700	26200	28700	31200
	84	19200	21500	23700	26000	28200
	96	17600	19600	21700	23700	25800
	108	16200	18100	19900	21800	23700
	120	15000	16000*	16000*	16000*	16000*

		Lift Capacities w/Boom & Forks (lbs)				
		Counter Weight Extension (in)				
		0	12	24	36	48
Load Center From Boom Face (in)	24	35200	39400	43700	48000	52300
	36	29800	33500	37100	40700	44300
	48	25900	29000	32200	35300	38500
	60	22900	25700	28400	31200	34000
	72	20500	23000	25500	28000	30400

*All Load Capacities are Rated with the Mast Vertical
Capacities Marked '*' are Bound by Structural Limitations*

Custom Mobile Equipment, Inc.

439 East High Street • Baldwin City, Kansas 66006
 (785) 594-7474 • Fax: (785) 594-7475



**WEIGHTS AND FLOOR LOADINGS
 VERSA-LIFT 40/60 WITH BOOM AND FORKS**

FRONT TRACK-	52"
REAR TRACK -	62"
OVERALL WIDTH -	72"
WHEELBASE EXTENDS -	98" TO 146"

WEIGHTS (BOOM AND FORKS INCLUDED)

	NO LOAD	FRAME OUT (60,000# LOAD)	FRAME IN (40,000# LOAD)
WEIGHT ON DRIVE AXLE -	27,000#	112,000#	92,000#
WEIGHT ON STEER AXLE -	31,000#	6,000#	6,000#
TOTAL WEIGHT -	58,000#	118,000#	98,000#

FLOOR LOADING WITH POLY TIRES

	EST. GROUND PRESSURE	EST. FOOTPRINT (per wheel)
FLOOR LOADING - EMPTY	381 psi ON STEER	41.94 square inches each
FLOOR LOADING - LOADED 60,000# AT 36" LOAD CENTER	643 psi ON DRIVE	87.06 square inches each

